


<b>CCT Shipping Frames</b>	COMPUTER FILE: 0072 spec sheet
LS-0072 Sales Sheet 6.27.16	MODEL FILE: 0072
<b>Rail Standard + Heavy Duty Storage</b>	
 15774 S. LA Grange Rd. #202, Orland Park, IL 60462 630-441-7046	

MATERIAL: SEE COMPONENTS  
FINISH: SEE COMPONENTS

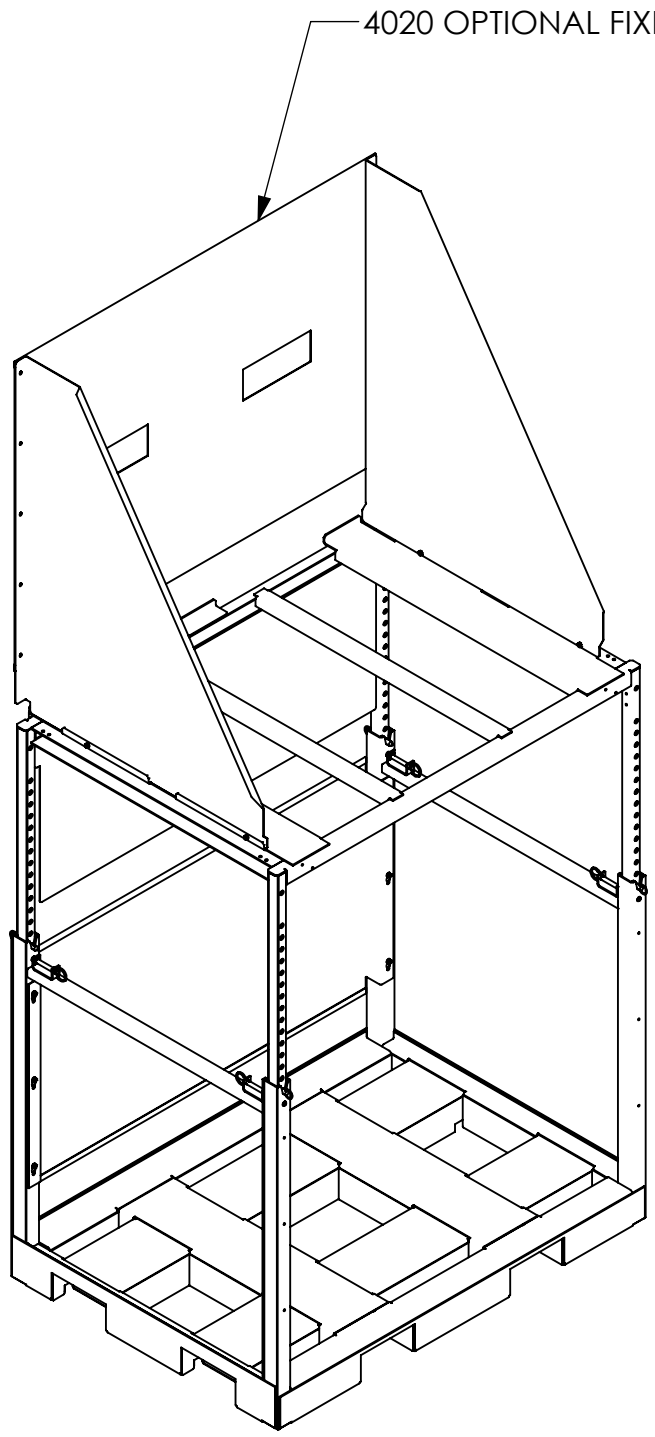
GENERAL TOLERANCES UNLESS OTHERWISE SPECIFIED:  
 X.X ± X.X    X.X° ± X.X°  
 X.XX ± X.XX  
 X.XXX ± X.XXX  
 CAD GENERATED DRAWING  
 DO NOT MANUALLY UPDATE  
 DO NOT SCALE DRAWING  
 3D MODEL AVAILABLE

THIS DRAWING REPRESENTS PROPRIETARY DESIGN INFORMATION, ORIGINATED BY LOAD SAVER. THIS DRAWING IS CONFIDENTIAL. DO NOT DISTRIBUTE WITHOUT WRITTEN CONSENT OF LOAD SAVER.

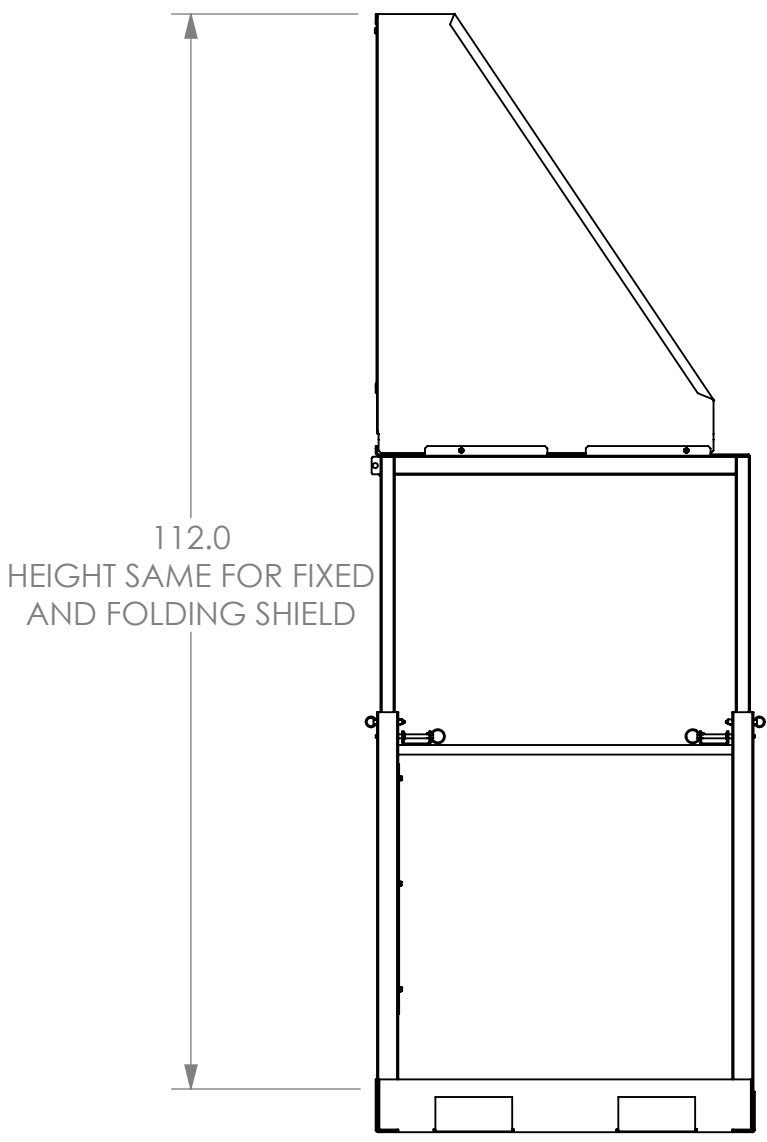
8 7 6 5 4 3 2 1

D  
C  
B  
A

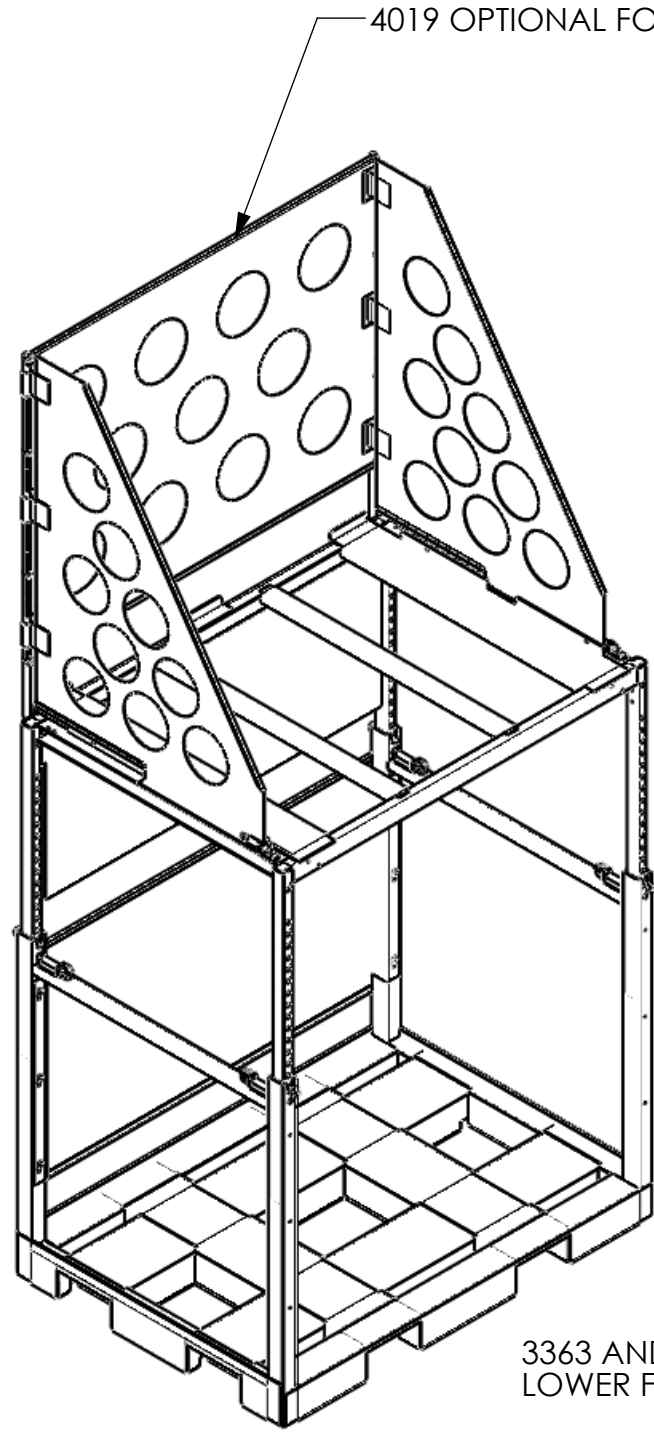
D  
C  
B  
A



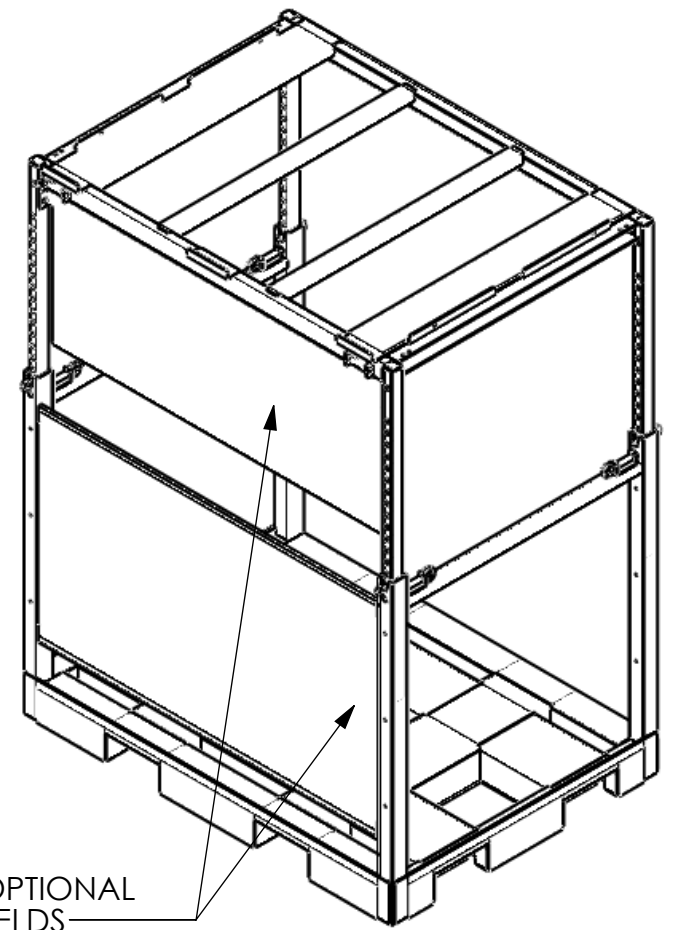
4020 OPTIONAL FIXED SHIELD ASSEMBLY



112.0  
HEIGHT SAME FOR FIXED  
AND FOLDING SHIELD



4019 OPTIONAL FOLDING SHIELD ASSEMBLY



3363 AND 3364 OPTIONAL  
LOWER FIXED SHIELDS

CCT Shipping Frames	COMPUTER FILE: 0072 spec sheet
LS-0072 Sales Sheet 6.27.16	MODEL FILE: 0072 Shields Attached
Rail Standard + Heavy Duty Storage	
 15774 S. LaGrange Rd. #202, Orland Park, IL 60462 630-441-7046	

MATERIAL: SEE COMPONENTS  
FINISH: SEE COMPONENTS

GENERAL TOLERANCES UNLESS OTHERWISE SPECIFIED:  
 X.X ± X.X    X.X° ± X.X°  
 X.XX ± X.XX  
 X.XXX ± X.XXX  
 CAD GENERATED DRAWING  
 DO NOT MANUALLY UPDATE  
 DO NOT SCALE DRAWING  
 3D MODEL AVAILABLE

THIS DRAWING REPRESENTS PROPRIETARY DESIGN INFORMATION, ORIGINATED BY LOAD SAVER. THIS DRAWING IS CONFIDENTIAL. DO NOT DISTRIBUTE WITHOUT WRITTEN CONSENT OF LOAD SAVER.

8 7 6 5 4 3 2 1