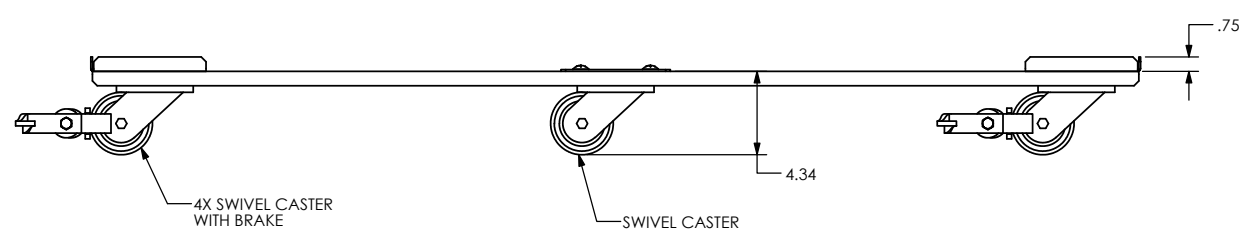
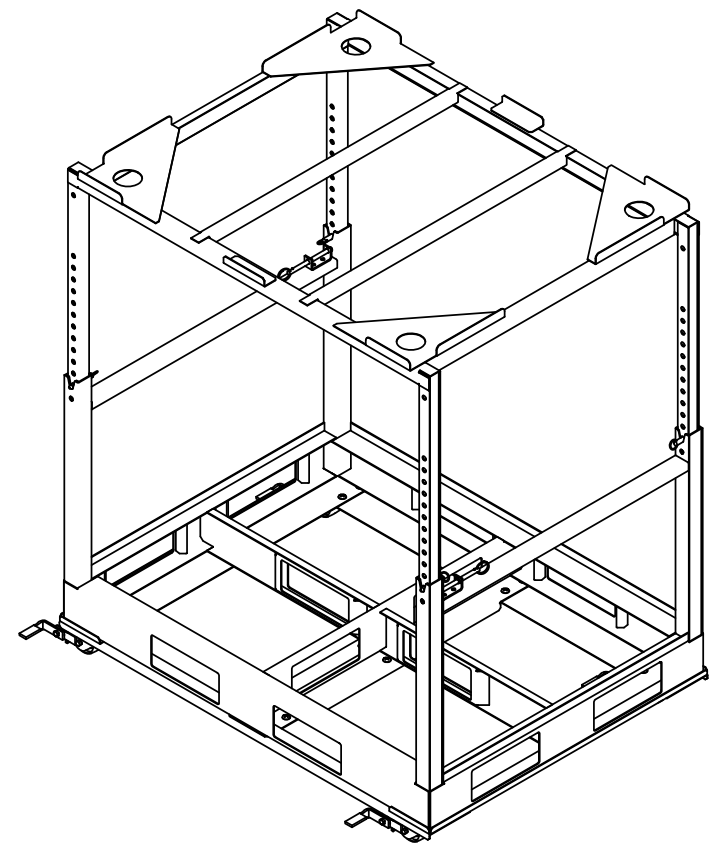
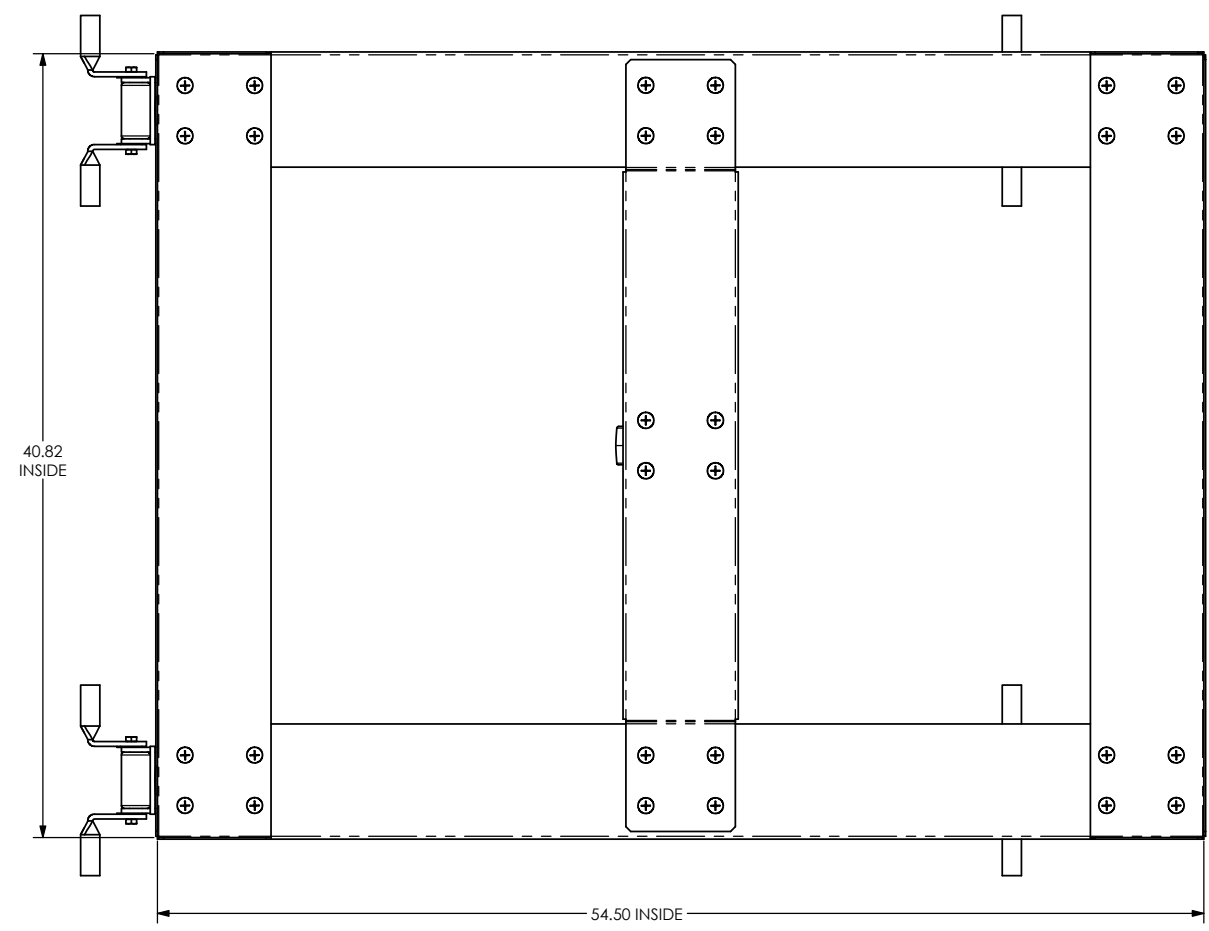
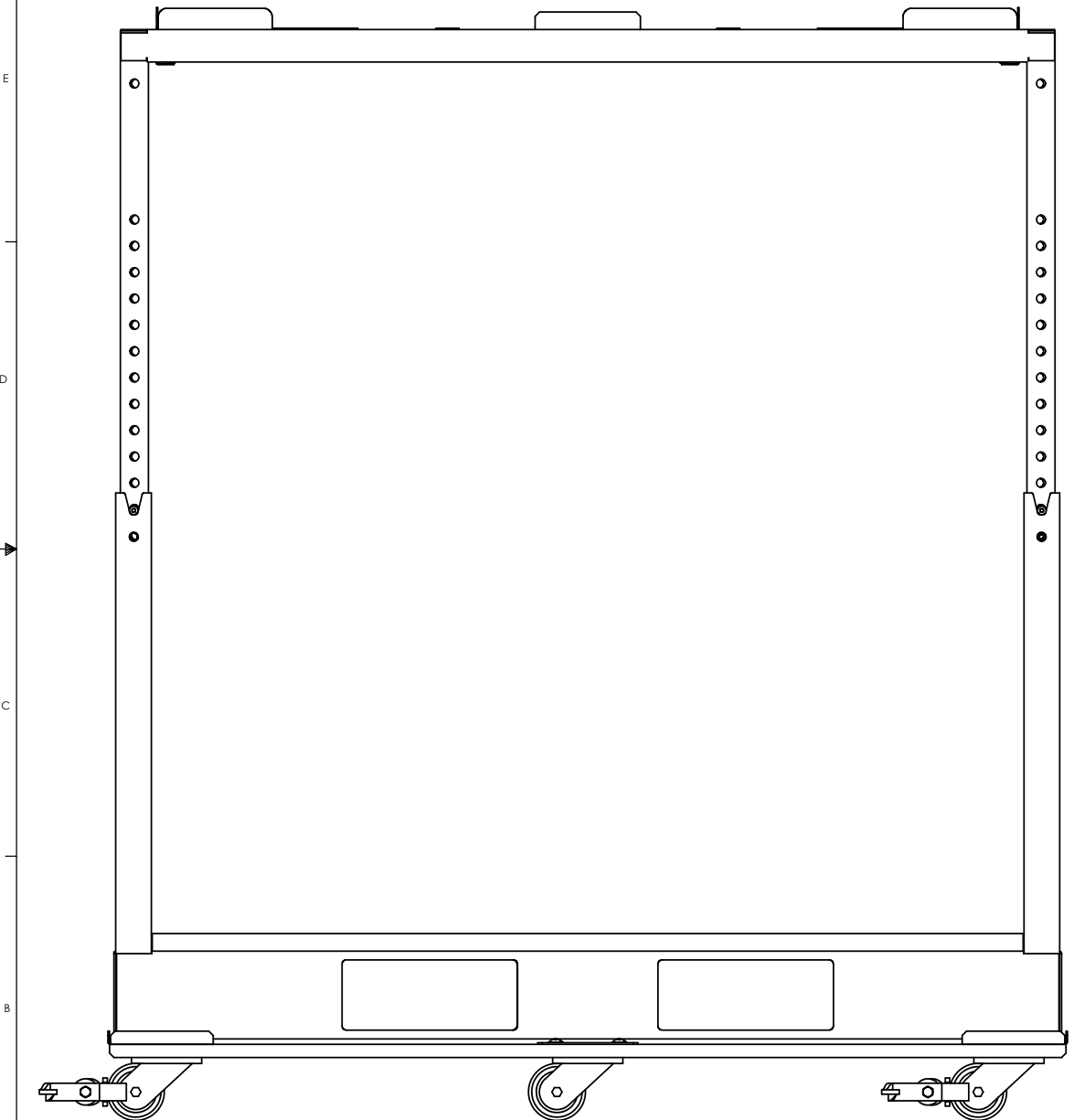


REVISIONS			
REV.	DESCRIPTION	DATE	APPROVED



<b>CCT SHIPPING FRAMES</b>		COMPUTER FILE: LS-0073
PART #: LS-0073		MODEL FILE: LS-0073
CASTER TRAY		
15774 South LaGrange Road #202 60462 630-325-7297		
MATERIAL: SEE COMPONENTS FINISH: SEE COMPONENTS		<small>GENERAL TOLERANCES UNLESS OTHERWISE SPECIFIED: X.X ± 0.X X.X° ± 0.X° X.XX ± 0.XX X.XXX ± 0.XXX</small>
		<small>CAD GENERATED DRAWING DO NOT MANUALLY UPDATE DO NOT SCALE DRAWING 3D MODEL AVAILABLE</small>
THIS DRAWING REPRESENTS PROPRIETARY DESIGN INFORMATION. ORIGINATED BY LOAD SAVER. THIS DRAWING IS CONFIDENTIAL. DO NOT DISTRIBUTE WITHOUT WRITTEN CONSENT OF LOAD SAVER.		SHEET 1 OF 1