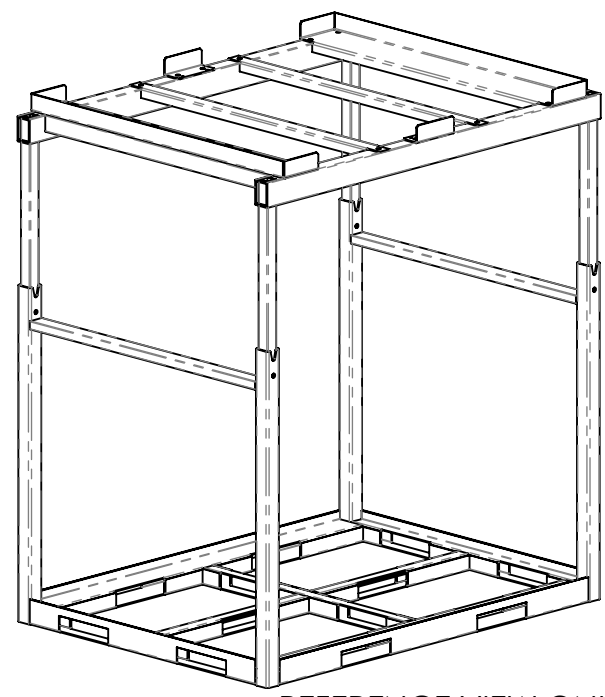


8 7 6 5 4 3 2 1

STANDARD PALLET TIER TOP

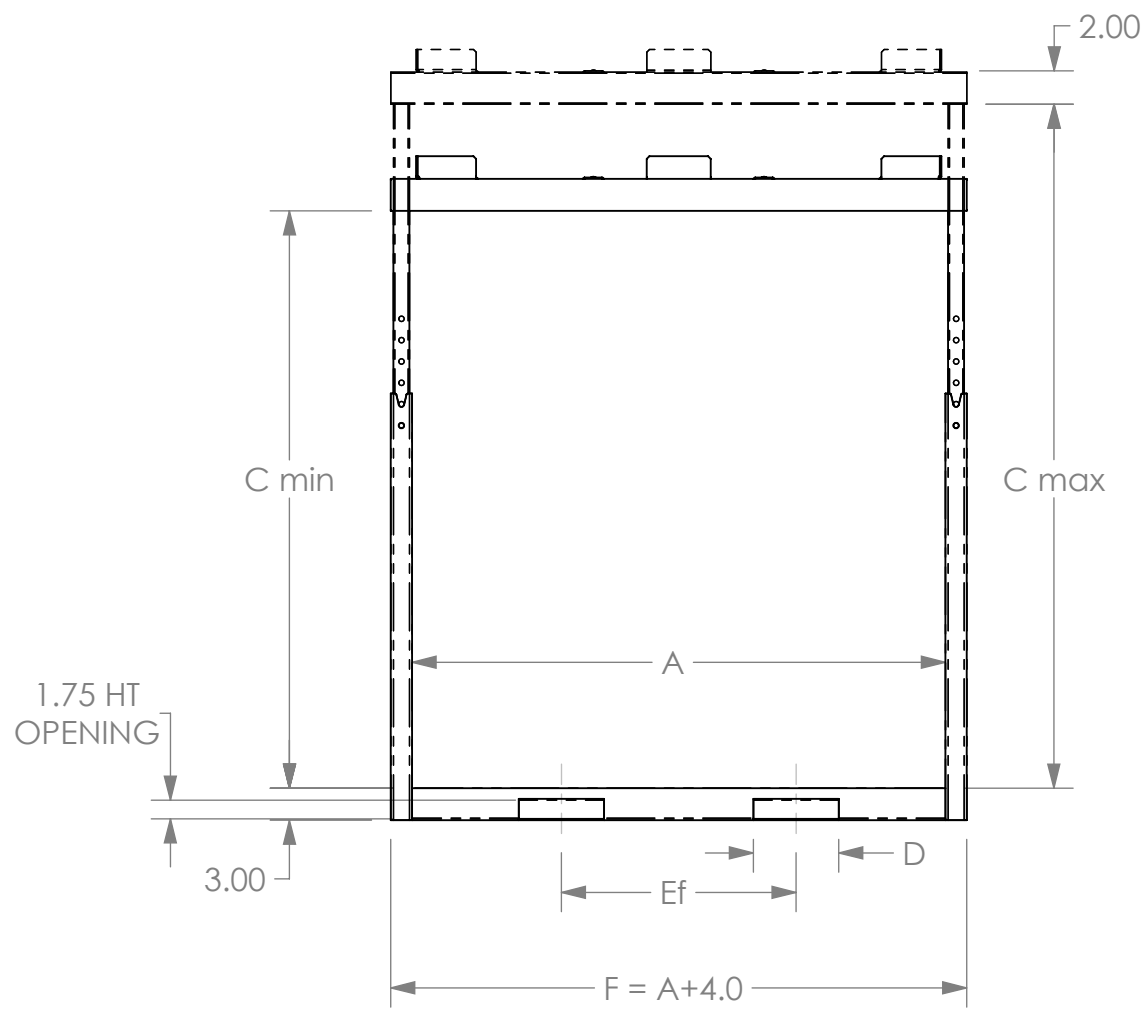
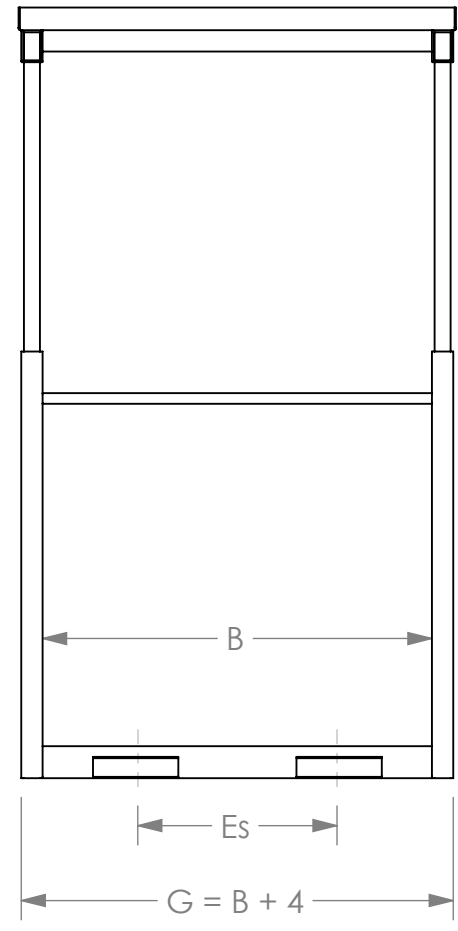
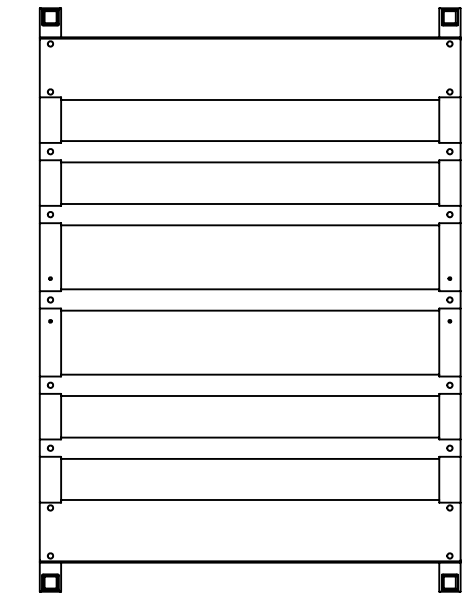
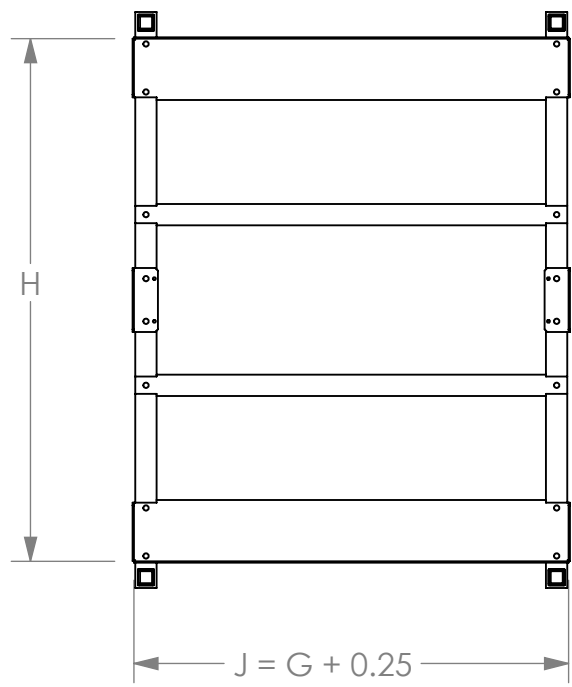
ALTERNATE SLIP SHEET TIER TOP



REFERENCE VIEW ONLY

REVISIONS		
REV.	DESCRIPTION	DATE
A		

DIMENSION	DESCRIPTION	VALUE
A	FRONT LOAD	
B	SIDE LOAD	
C max	LOAD CLEARANCE MAX	
C min	LOAD CLEARANCE MIN	
	# OF POSITIONS	__@__in
D	FORK WIDTH	
Ef	FORK SPREAD FRONT	
Es	FORK SPREAD SIDE	
F	FRONT WIDTH	
G	SIDE WIDTH	
H	TOP TIER FRONT WIDTH	
J	TOP TIER SIDE WIDTH	
	TOP TIER LOAD MAX	
	TOTAL LOAD MAX	



**CCT SHIPPING FRAMES**  
 PART #: New\_Std-Generic\_Sales\_Sheet\_02-13-12  
 MODEL FILE: Std-Generic-Sales  
**LS ADJUSTABLE SALES/SPEC**

**CCT** Shipping Frames  
 15774 South LaGrange Road #202 60462  
 630-441-7046

CLIENT APPROVAL: \_\_\_\_\_ : (PRINT NAME) \_\_\_\_\_  
 DATE: \_\_\_\_\_

GENERAL TOLERANCES UNLESS OTHERWISE SPECIFIED:  
 X.X ± X.X X.X° ± X.X°  
 X.XX ± X.XX  
 X.XXX ± X.XXX  
 CAD GENERATED DRAWING DO NOT MANUALLY UPDATE DO NOT SCALE DRAWING 3D MODEL AVAILABLE

THIS DRAWING REPRESENTS PROPRIETARY DESIGN INFORMATION, ORIGINATED BY LOAD SAVER. THIS DRAWING IS CONFIDENTIAL. DO NOT DISTRIBUTE WITHOUT WRITTEN CONSENT OF LOAD SAVER.  
 SHEET 1 OF 1

8 7 6 5 4 3 2 1