


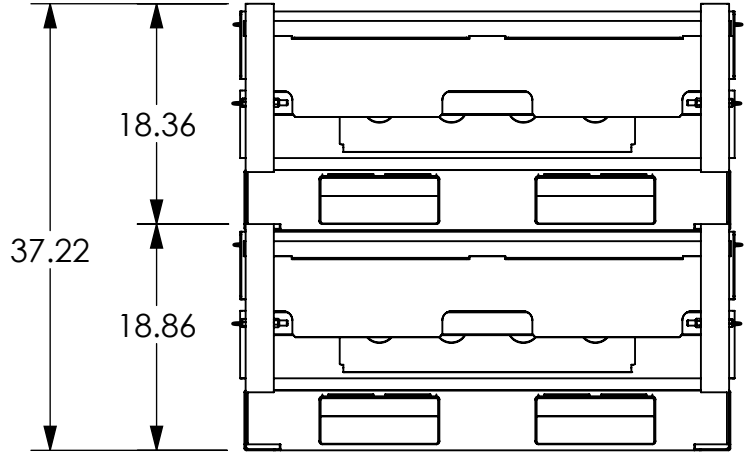
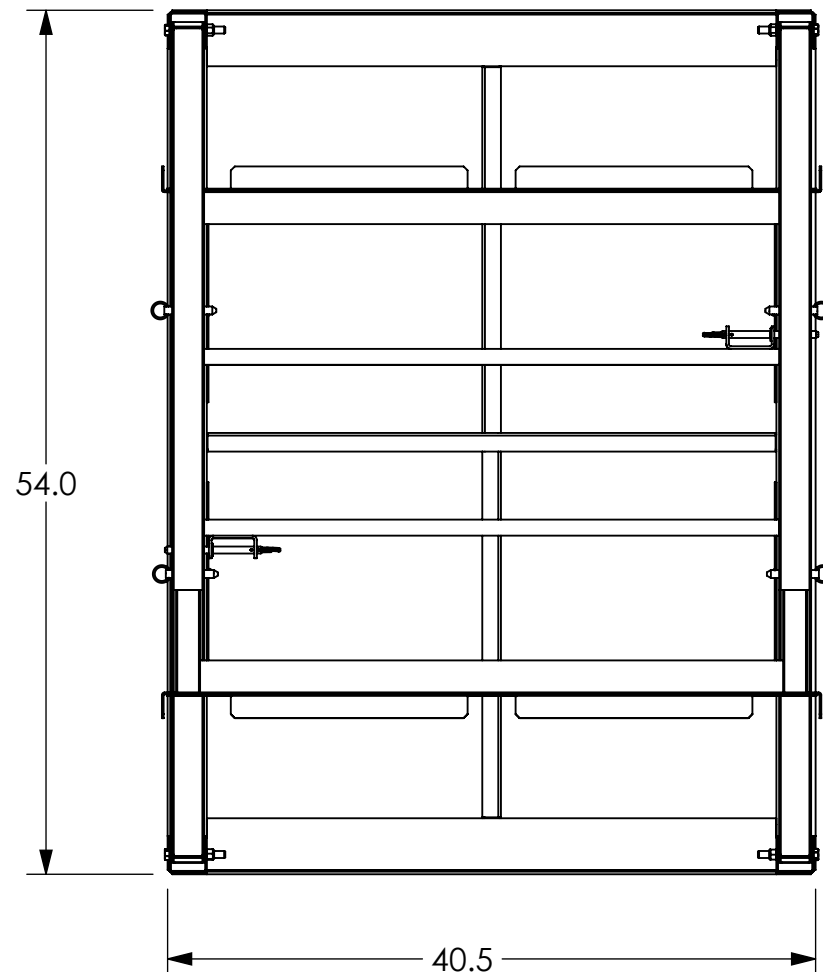
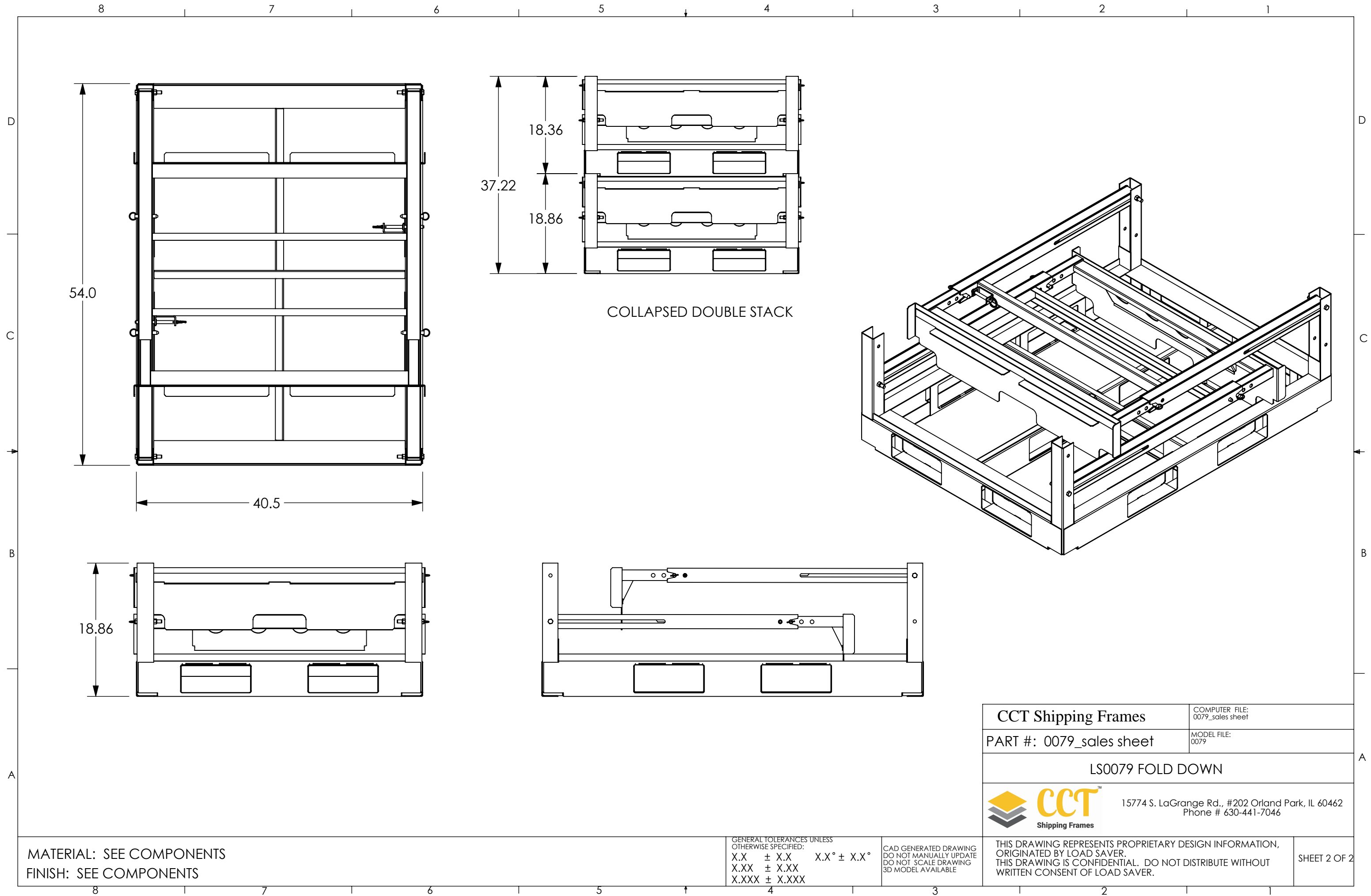
MATERIAL: SEE COMPONENTS
FINISH: SEE COMPONENTS

GENERAL TOLERANCES UNLESS OTHERWISE SPECIFIED:
X.X ± X.X X.X° ± X.X°
X.XX ± X.XX
X.XXX ± X.XXX

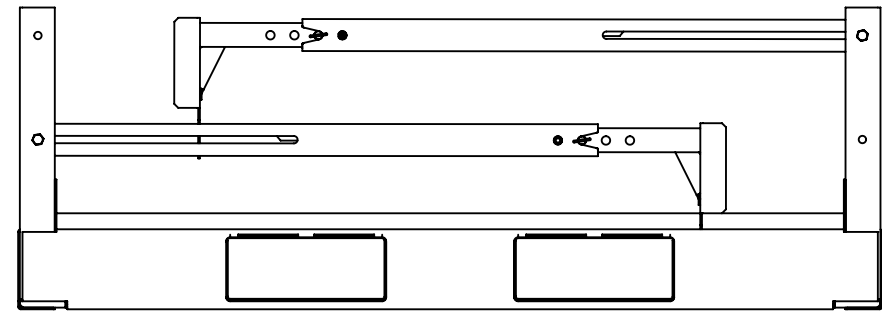
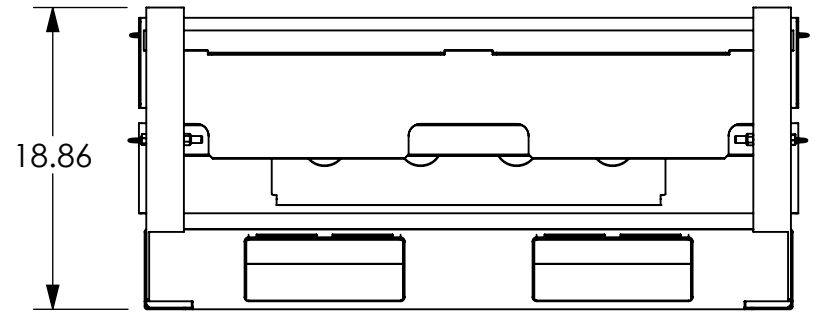
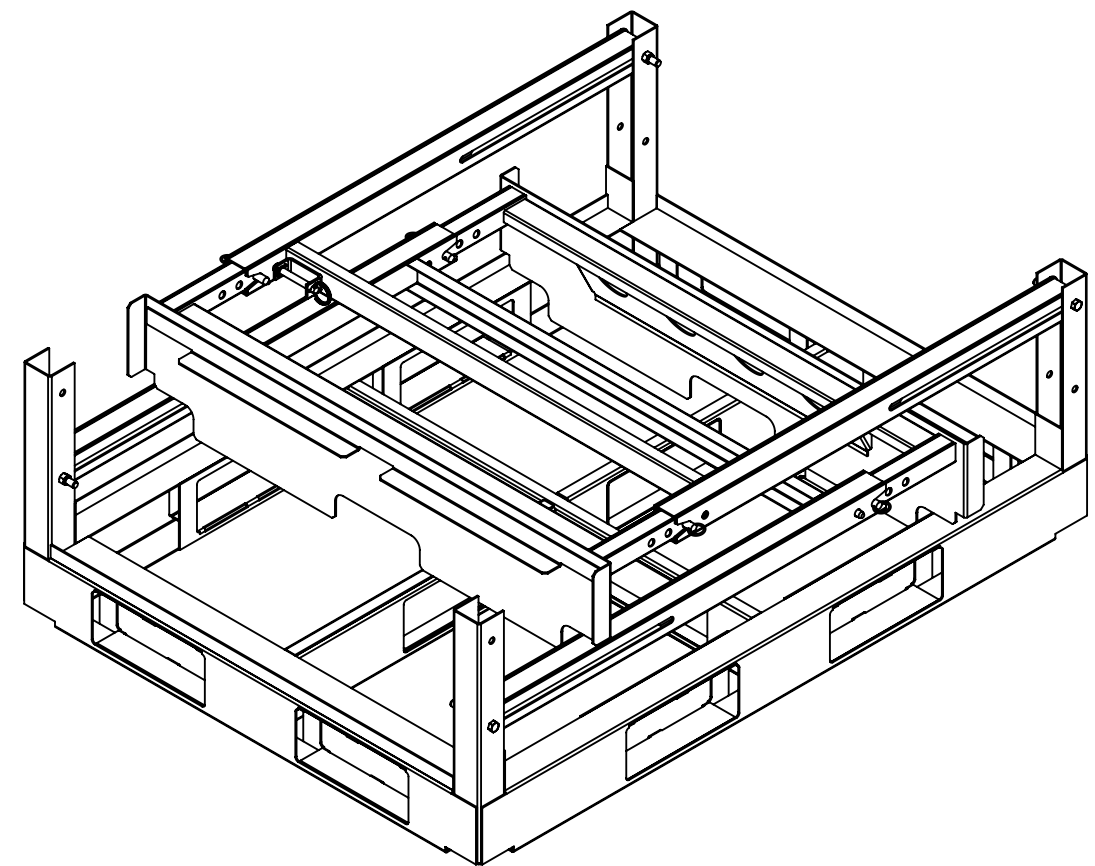
CAD GENERATED DRAWING
DO NOT MANUALLY UPDATE
DO NOT SCALE DRAWING
3D MODEL AVAILABLE


CCT Shipping Frames	COMPUTER FILE: 0079_sales sheet
PART #: 0079_sales sheet	MODEL FILE: 0079
LS0079 FOLD DOWN	
 15774 S. LaGrange Rd., #202 Orland Park, IL 60462 630-441-7046	

THIS DRAWING REPRESENTS PROPRIETARY DESIGN INFORMATION, ORIGINATED BY LOAD SAVER. THIS DRAWING IS CONFIDENTIAL. DO NOT DISTRIBUTE WITHOUT WRITTEN CONSENT OF LOAD SAVER.



COLLAPSED DOUBLE STACK



CCT Shipping Frames		COMPUTER FILE: 0079_sales sheet
PART #: 0079_sales sheet		MODEL FILE: 0079
LS0079 FOLD DOWN		
		15774 S. LaGrange Rd., #202 Orland Park, IL 60462 Phone # 630-441-7046

MATERIAL: SEE COMPONENTS
FINISH: SEE COMPONENTS

GENERAL TOLERANCES UNLESS OTHERWISE SPECIFIED:		
X.X	± X.X	X.X° ± X.X°
X.XX	± X.XX	
X.XXX	± X.XXX	

CAD GENERATED DRAWING
DO NOT MANUALLY UPDATE
DO NOT SCALE DRAWING
3D MODEL AVAILABLE

THIS DRAWING REPRESENTS PROPRIETARY DESIGN INFORMATION,
ORIGINATED BY LOAD SAVER.
THIS DRAWING IS CONFIDENTIAL. DO NOT DISTRIBUTE WITHOUT
WRITTEN CONSENT OF LOAD SAVER.